

SaniMist®



**THE COMPLETE SANITIZING KIT
FOR HOME AND BUSINESS**

SaniMist®



INSTRUCTION MANUAL

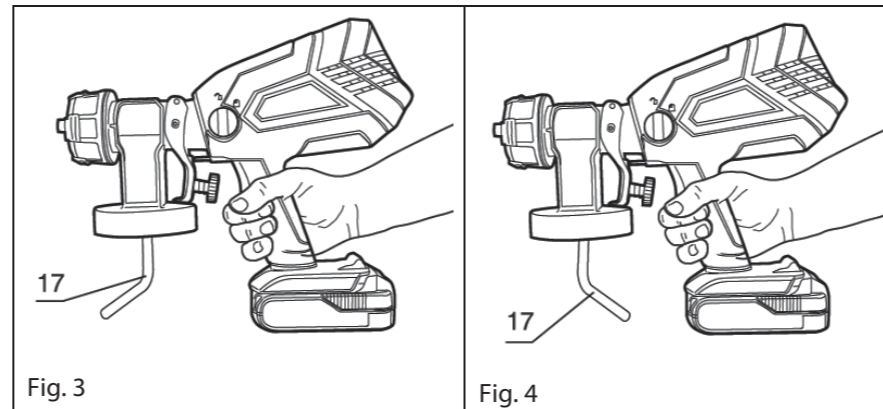
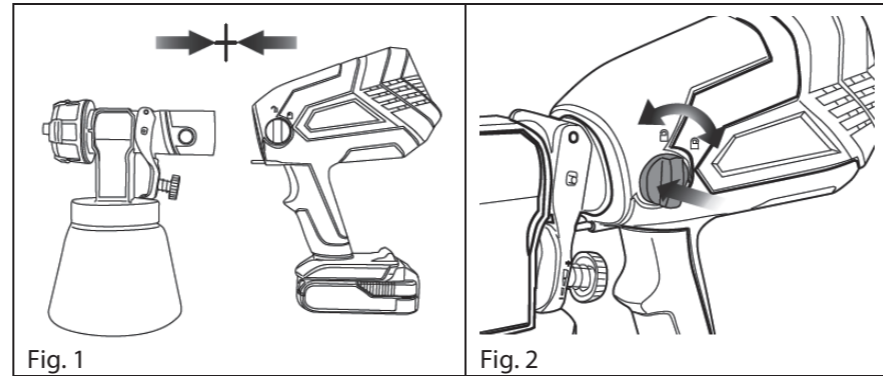
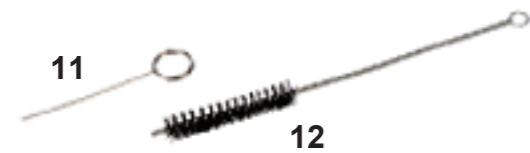
SaniMist®

**THE COMPLETE SANITIZING KIT
FOR HOME AND BUSINESS**

Instruction Manual



Fig. A



ASSEMBLY

1. Insert the misting unit (1) fully into the sanitizing mister body
2. Turn the quick release knob (3) to the lock position to secure misting gun unit.

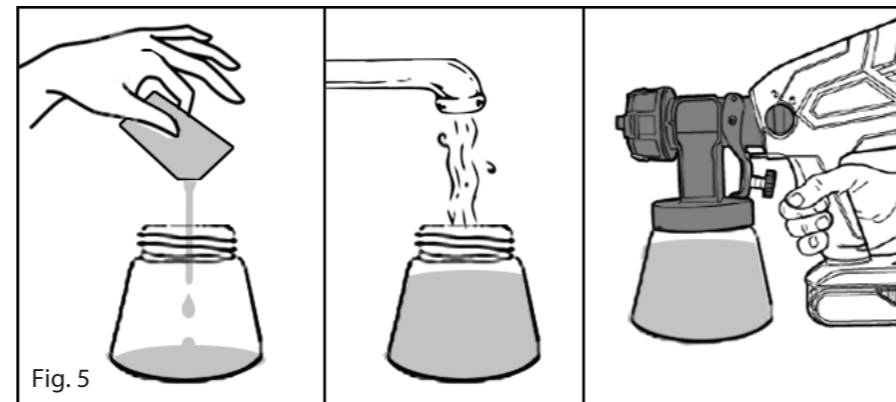
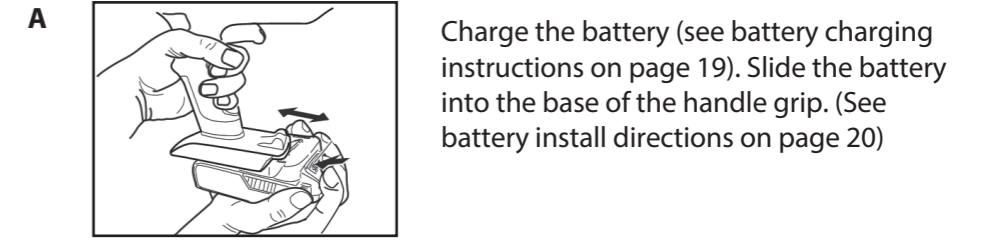


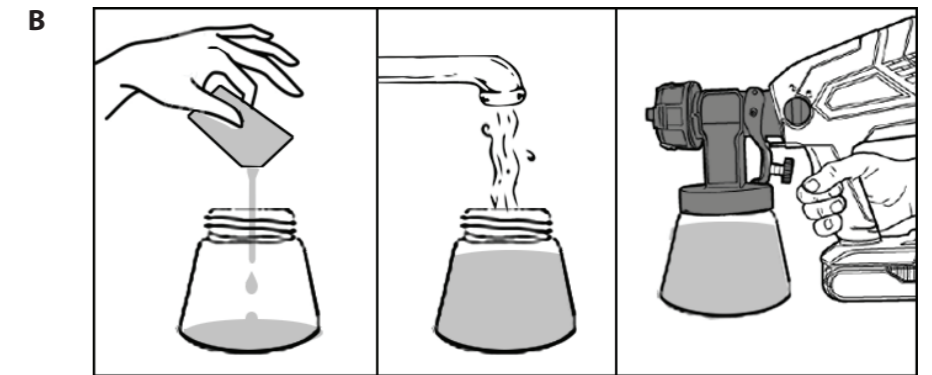
Fig. 5

20 THE BASICS

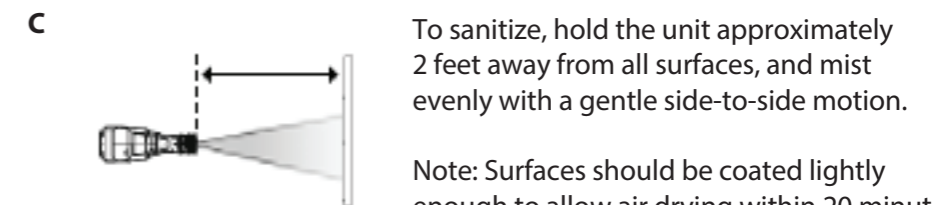
Detailed instructions are contained in this manual, but here is a very basic “ABC” overview for getting started.



Charge the battery (see battery charging instructions on page 19). Slide the battery into the base of the handle grip. (See battery install directions on page 20)

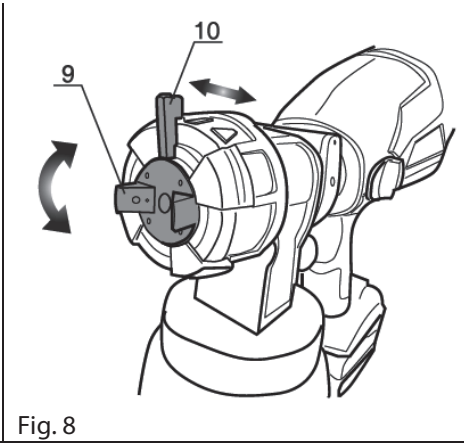
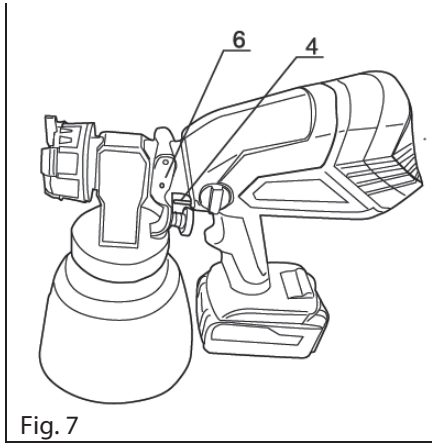
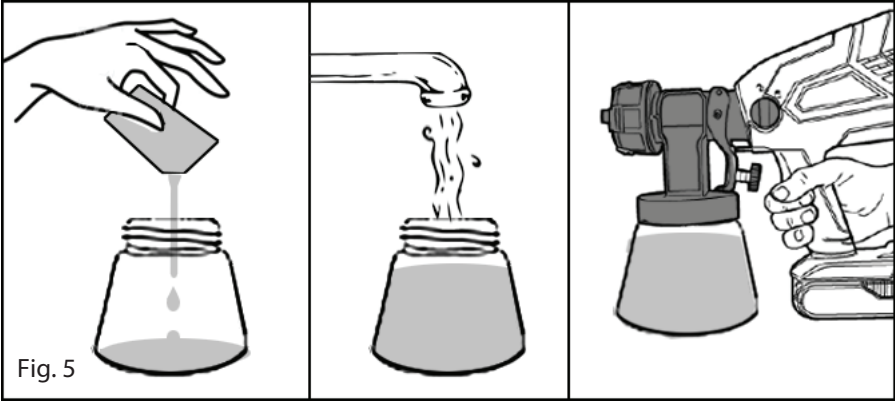


Unscrew the container from the unit. Wearing protective gloves, take one packet of sanitizer, cut the corner with scissors, and pour contents into the container. Fill the container with water, and screw the container back onto the unit.



To sanitize, hold the unit approximately 2 feet away from all surfaces, and mist evenly with a gentle side-to-side motion.

Note: Surfaces should be coated lightly enough to allow air drying within 20 minutes. Calibrate the nozzle to adjust if needed.



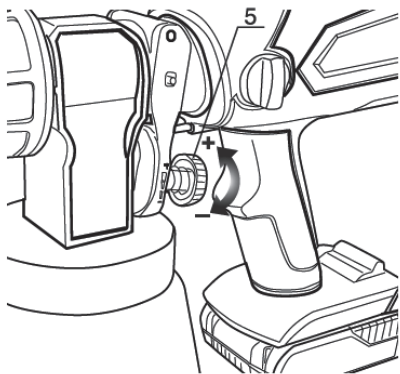


Fig. 9

Use at a distance no less than 2 feet from surfaces.

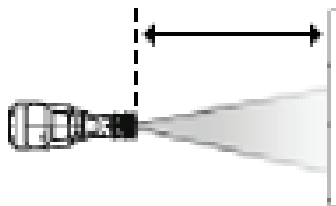


Fig. 10

Aim straight at surfaces, moving side-to-side

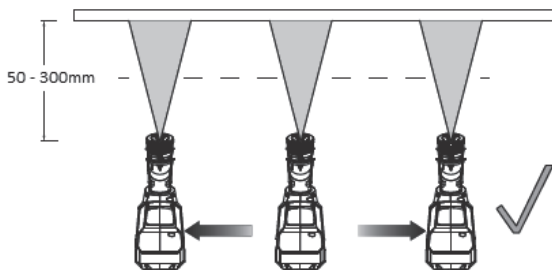


Fig. 11

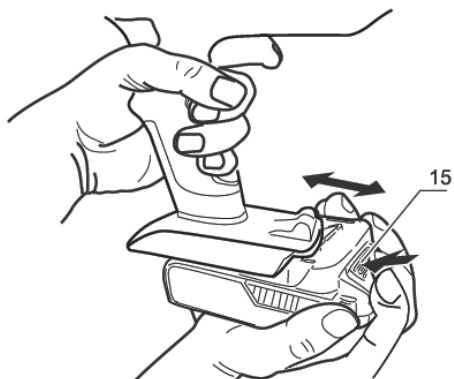


Fig. 13

1 HOW TO USE (THE BASICS) 8

2 APPLICATION..... 9

3 DESCRIPTION (FIG. A) 9

4 PACKAGE CONTENT LIST10

5 SYMBOLS..... 11

6 GENERAL POWER TOOL SAFETY WARNINGS..... 12

6.1 Work area safety..... 12

6.2 Electrical safety..... 12

6.3 Personal safety 13

6.4 Power tool use and care 13

6.5 Battery tool use and care 14

6.6 Service..... 14

7 CORDLESS SANITIZING MISTER SAFETY PRECAUTIONS 14

8 ADDITIONAL SAFETY INSTRUCTIONS FOR BATTERIES AND CHARGERS..... 16

8.1 Batteries..... 16

8.2 Chargers..... 16

9 HOW IT WORKS 16

10 ASSEMBLY..... 17

10.1 ATTACHING SANITIZING MISTER UNIT TO MISTER BODY (Fig. 1, 2) 17

12.1 PREPARATION TIPS 18

12.2 FILLING THE SANITIZER CONTAINER (FIG. 6)..... 18

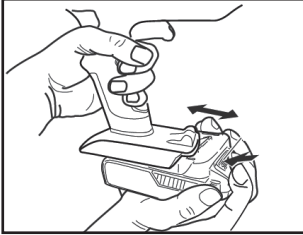
12.3 ON / OFF TRIGGER (Fig. 7) 18

12.4	ADJUSTING THE SPRAY PATTERNS (Fig. 8)	18
12.5	MISTING TECHNIQUE	20
12.6	CHARGING the BATTERY PACK	19
12.7	INSTALLING AND REMOVING the BATTERY PACK (Fig.13)	20
13	CLEANING & MAINTENANCE	20
13.1	CLEANING THE MISTING GUN AFTER USE	20
13.2	CLEANING THE PARTS	21
13.3	In general	21
14	TECHNICAL DETAILS	22
15	NOISE	22
16	VIBRATION	22
17	WARRANTY	23
18	ENVIRONMENT	24
18.1	Disposing of the machine	24
18.2	Disposing of the packaging.	24
18.3	Disposing of the rechargeable battery	24
19	THE BASICS (Repeated)	25

1 HOW TO USE - A BASIC OVERVIEW

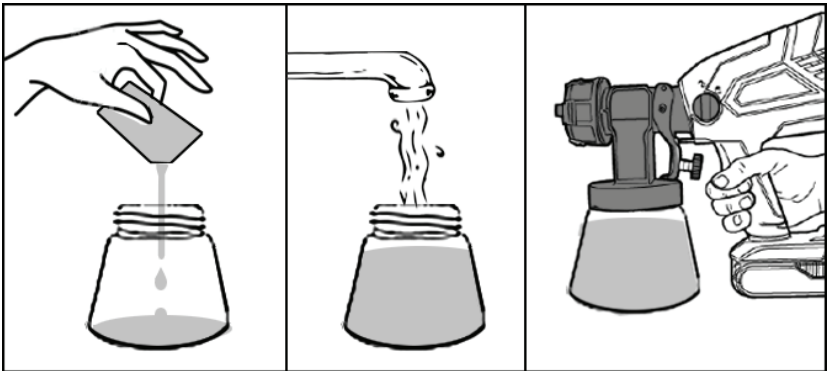
Detailed instructions are contained in this manual, but here is a very basic “ABC” overview for getting started.

A



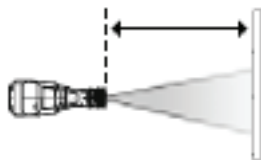
Slide the battery into the base of the handle grip. Test the battery by pulling the trigger. If nothing happens, remove the battery and charge it with the provided battery charger.

B



Unscrew the container from the unit. Wearing protective gloves, take one packet of sanitizer, cut the corner with scissors, and pour contents into the container. Fill the container with water, and screw the container back onto the unit.

C



To sanitize, hold the unit approximately 2 feet away from all surfaces, and mist evenly with a gentle side-to-side motion.

Note: Surfaces should be coated lightly enough to allow air drying within 20 minutes. Calibrate the nozzle to adjust if needed.



CORDLESS SANITIZING MISTER 20V SM-001

1 APPLICATION

This HVLP battery-powered sanitizing mister can be used anywhere inside the home or business to sanitize hard surfaces.

Before using this tool, familiarize yourself with all the operating features and safety requirements. Use this tool and accessories only for the applications intended. All other applications are expressly ruled out.



**WARNING! Read this manual and general safety instructions carefully before using the appliance, for your own safety. Your power tool should only be passed on together with these instructions.
SAVE THESE INSTRUCTIONS FOR FUTURE REFERENCE.**

2 DESCRIPTION (FIG. A)

1. Sanitizing mister unit
2. Sanitizing mister body
3. Quick release knob
4. Switch trigger lever
5. Flow control knob
6. On/Off trigger
7. Sanitizer container
8. Tip collar
9. Air cap
10. Spray width lever
11. Cleaning needle
12. Cleaning brush
13. Battery release button
14. Battery pack

3 PACKAGE CONTENT LIST

- Remove all packaging materials.
- Remove remaining packing and package inserts (if included).
- Check that the package contents are complete.
- Check the appliance, the power cord, the power plug and all accessories for transportation damage.
- Keep the packing materials as far as possible till the end of the warranty period. Dispose it into your local waste disposal system afterwards.



WARNING! Packaging materials are not toys! Children must not play with plastic bags! Danger of suffocation!










- 1 x Cordless sanitizing mister
- 2 x 2000mAh Battery
- 1 x Charger
- 1 x Cleaning needle,
- 1 x Cleaning brush
- 1 x Instruction Manual



If any parts are missing or damaged, please contact your dealer.

4 SYMBOLS

In this manual and/or on the machine the following symbols are used:

	Denotes risk of personal injury or damage to the tool.		Wear hearing protection
	Read manual before use		Wear eye protection
	In accordance with essential requirements of the European directive(s)		Wear a mask In dusty conditions
	"Class II - The machine is double insulated; Earthing wire is therefore not necessary		
	Do not expose charger and battery pack to water		Do not incinerate battery pack or charger
	Ambient temperature 40°C max. (only for battery)		Use battery and charger only in closed rooms

This appliance may not be used by children. It may be used by persons with reduced physical, sensory or mental capabilities or lack of experience and knowledge if they have been given supervision or instruction concerning use of the appliance in a safe way and understand the hazards involved. Children shall not play with the appliance. Cleaning and user maintenance shall not be made by children without supervision. If the supply cord becomes damaged the charger must be discarded and replaced with identical unit from the service agent.

The charger must only be used with the supplied battery block.



WARNING: do not attempt to charge non-rechargeable batteries, or other types of batteries than those supplied with this Paint Sprayer model XYZ567 (UK/IRL)

5 GENERAL POWER TOOL SAFETY WARNINGS



WARNING! Read all safety warnings and all instructions. Failure to follow the warnings and instructions may result in electric shock, fire and/or serious injury.

Save all warnings and instructions for future reference.

The term "power tool" in the warnings refers to your mains-operated (corded) power tool or battery-operated (cordless) power tool.

5.1 Work area safety

- a) **Keep work area clean and well lit.** *Cluttered or dark areas invite accidents.*
- b) **Do not operate power tools in explosive atmospheres, such as in the presence of flammable liquids, gases or dust.** *Power tools create sparks which may ignite the dust or fumes.*
- c) **Keep children and bystanders away while operating a power tool.** *Distractions can cause you to lose control.*

5.2 Electrical safety

- a) **Power tool plugs must match the outlet. Never modify the plug in any way. Do not use any adapter plugs with earthed (grounded) power tools.** *Unmodified plugs and matching outlets will reduce risk of electric shock.*
- b) **Avoid body contact with earthed or grounded surfaces, such as pipes, radiators, ranges and refrigerators.** *There is an increased risk of electric shock if your body is earthed or grounded.*
- c) **Do not expose power tools to rain or wet conditions.** *Water entering a power tool will increase the risk of electric shock.*
- d) **Do not abuse the cord. Never use the cord for carrying, pulling or unplugging the power tool. Keep cord away from heat, oil, sharp edges or moving parts.** *Damaged or entangled cords increase the risk of electric shock.*

e) When operating a power tool outdoors, use an extension cord suitable for outdoor use. *Use of a cord suitable for outdoor use reduces the risk of electric shock.*

f) If operating a power tool in a damp location is unavoidable, use a residual current device (RCD) protected supply. *Use of an RCD reduces the risk of electric shock.*

5.3 Personal safety

a) Stay alert, watch what you are doing and use common sense when operating a power tool. Do not use a power tool while you are tired or under the influence of drugs, alcohol or medication. *A moment of inattention while operating power tools may result in serious personal injury.*

b) Use personal protective equipment. Always wear eye protection. *Protective equipment such as dust mask, non-skid safety shoes, hard hat, or hearing protection used for appropriate conditions will reduce personal injuries.*

c) Prevent unintentional starting. Ensure the switch is in the off-position before connecting to power source and/or battery pack, picking up or carrying the tool.

Carrying power tools with your finger on the switch or energising power tools that have the switch on invites accidents.

d) Remove any adjusting key or wrench before turning the power tool on. *A wrench or a key left attached to a rotating part of the power tool may result in personal injury.*

e) Do not overreach. Keep proper footing and balance at all times. *This enables better control of the power tool in unexpected situations.*

f) Dress properly. Do not wear loose clothing or jewellery. Keep your hair, clothing and gloves away from moving parts. *Loose clothes, jewellery or long hair can be caught in moving parts.*

g) If devices are provided for the connection of dust extraction and collection facilities, ensure these are connected and properly used. *Use of dust collection can reduce dust-related hazards.*

5.4 Power tool use and care

a) Do not force the power tool. Use the correct power tool for your application. *The correct power tool will do the job better and safer at the rate for which it was designed.*

b) Do not use the power tool if the switch does not turn it on and off. *Any power tool that cannot be controlled with the switch is dangerous and must be repaired.*

c) Disconnect the plug from the power source and/or the battery pack from the power tool before making any adjustments, changing accessories, or storing power tools. *Such preventive safety measures reduce the risk of starting the power tool accidentally.*

d) Store idle power tools out of the reach of children and do not allow persons unfamiliar with the power tool or these instructions to operate the power tool. *Power tools are dangerous in the hands of untrained users.*

e) Maintain power tools. Check for misalignment or binding of moving parts, breakage of parts and any other condition that may affect the power tools operation. If damaged, have the power tool repaired before use. *Many accidents are caused by poorly maintained power tools.*

f) Keep cutting tools sharp and clean. *Properly maintained cutting tools with sharp cutting edges are less likely to bind and are easier to control.*

g) Use the power tool, accessories and tool bits etc. in accordance with these instructions, taking into account the working conditions and the work to be performed. *Use of the power tool for operations different from those intended could result in a hazardous situation.*

5.5 Battery tool use and care

a) Recharge only with the charger specified by the manufacturer. *A charger that is suitable for one type of battery pack may create a risk of fire when used with another battery pack.*

b) Use power tools only with specifically designated battery packs. *Use of any other battery packs may create a risk of injury and fire.*

c) When battery pack is not in use, keep it away from other metal objects, like paper clips, coins, keys, nails, screws or other small metal objects, that can make a connection from one terminal to another. *Shorting the battery terminals together may cause burns or a fire.*

d) Under abusive conditions, liquid may be ejected from the battery; avoid contact. If contact accidentally occurs, flush with water. If

liquid contacts eyes, additionally seek medical help. *Liquid ejected from the battery may cause irritation or burns.*

5.6 Service

a) Have your power tool serviced by a qualified repair person using only identical replacement parts. *This will ensure that the safety of the power tool is maintained.*

6 CORDLESS MISTING GUN SAFETY PRECAUTIONS



CAUTION! Danger of injury! Never point the spray gun at yourself or other persons or animals.

1. Only use the recommended sanitizer with water in this sanitizing mister. Do not run other liquids through the unit, such as paint, or any liquid that is thicker than water
2. The device may not be based in work places which are covered by the explosion protection regulations without additional safety assessment being performed in relation to explosive atmospheres (e.g. paint solvent).
3. When spraying, ensure that there are no sources of ignition, e.g. open fire, cigarettes, cigars, and pipes, sparks, glowing wires, hot surfaces, etc. in the area.
4. Wear breathing protection when spraying.
5. Inside and outdoors, care must be taken that no solvent vapours are sucked into the device.
6. When outdoors observe wind direction. When working indoors ensure that there is sufficient ventilation.
7. Do not spray at the device.
8. The device is only splash-proof when the air hose is correctly connected.
9. Do not let children play with the device. Keep out of reach of children.
10. Care must be taken that the mains cable is not damaged. Do not use the product and contact the service centre to arrange a suitable replacement.
11. Do not use this mister to spray flammable liquids.
12. Do not clean mister with flammable solvents, use water only.

13. Take precautionary measures against potential hazards from spray liquid and follow any instructions given on containers or laid down by the manufacturer of the liquid.
14. Do not spray any liquids of unknown hazard potential.
15. It is forbidden to spray to the cover of an electro motor.

7 ADDITIONAL SAFETY INSTRUCTIONS FOR BATTERIES AND CHARGERS

7.1 Batteries

- Never attempt to open for any reason.
- Do not store in locations where the temperature may exceed 40 °C.
- Charge only at ambient temperatures between 4 °C and 40 °C.
- Store your batteries in a cool dry place (5 °C-20 °C). Never store batteries in discharged state.
- It is better for Li-ion batteries to discharge and reload them regularly (at least 4 times a year). The ideal charge for long-term storage of your Li-ion battery is 40% of capacity.
- When disposing of batteries, follow the instructions given in the section “Protecting the environment”.
- Do not cause short circuits. If connection is made between the positive (+) and negative (-) terminal directly or via accidental contact with metallic objects, the battery is short circuited and an intense current will flow causing heat generation which may lead to casing rupture or fire.
- Do not heat. If batteries are heated to above 100 °C, sealing and insulating separators and other polymer components may be damaged resulting in electrolyte leakage and/or internal short circuiting leading to heat generation causing rupture or fire. Moreover do not dispose of the batteries in fire, explosion and/or intense burning may result.
- Under extreme conditions, battery leakage may occur. When you notice liquid on the battery, proceed as follows:
 - Carefully wipe the liquid off using a cloth. Avoid skin contact.
 - In case of skin or eye contact, follow the instructions below:
 - ✓ Immediately rinse with water. Neutralize with a mild acid such as lemon juice or vinegar.

- ✓ In case of eye contact, rinse abundantly with clean water for at least 10 minutes. Consult a physician.



Fire hazard! Avoid short-circuiting the contacts of a detached battery. Do not incinerate the battery.

7.2 Chargers

- Use the charger provided with the tool only to charge the battery
- Never attempt to charge non-rechargeable batteries.
- Have defective cords replaced immediately.
- Do not expose to water.
- Do not open the charger.
- Do not probe the charger.
- The charger is intended for indoor use only.

8 HOW IT WORKS

The device works according to low pressure spraying technique. A high volume of air surrounds the spray jet being ejected under low pressure. The air cap provides a very fine atomization with the lowest of spray mist. The sanitizer is applied to hard surfaces quickly and exactly. Moreover, the air flow shortens the drying time for the sanitizer, This gives perfect spraying result with a respective saving of coating and is therefore good for the environment.

9 ASSEMBLY



Warning! Be sure to use appropriate protective gear and unplug unit,

Warning! Make sure area is well ventilated and free of flammable vapours.

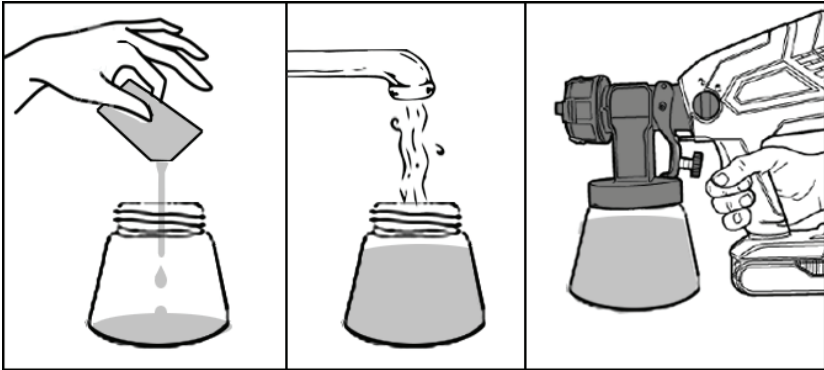
9.1 ATTACHING MISTING UNIT TO SANITIZING MISTER BODY (Fig. 1, 2)

1. Insert the misting unit (1) fully into the mister body
2. Turn the quick release knob (3) to the lock position to secure misting gun unit.

11.2 FILLING THE SANITIZER CONTAINER (FIG. 6)

- Check to make sure that the canister is completely screwed onto the sprayer.
- Unscrew the quick refill lid
- Stand the sanitizing mister firmly on an smooth and horizontal surface
- Pour the sanitizer concentrate (1 packet) into the canister
- Fill the canister with water

Starting the threads evenly, screw the lid completely onto the top fill canister. Check the lid to make sure it is threaded on squarely and completely before picking up the sprayer.



11.3 ON / OFF TRIGGER (Fig. 7)

Squeeze to press the trigger (6), trigger will actuate the switch inside the tool by the switch trigger lever (4) to turn on the tool. Release the trigger to turn off the tool.

11.4 ADJUSTING THE MIST PATTERNS (Fig. 8)

There are three patterns to choose from, but satisfactory sanitizing results can be achieved by simply leaving the mist pattern on the horizontal setting at all times.

	<p>For horizontal surfaces use a vertical jet. Turn the air cap into the position shown to the left.</p>
	<p>For vertical surfaces use a horizontal jet. Turn the air cap into the position shown to the left</p>
	<p>For corners, edges and other hard to access places use a round jet. Turn the air cap into the position shown to the left</p>

11.7 CHARGING the BATTERY PACK

Note:

- Only charge up the battery block in an ambient temperature from 4°C to 40°C.
- Always check the charger and its connecting cable for damage before putting them into operation. If you find any damage or wear, do not use them to prevent injuries.
- Only connect the charger to a properly installed plug socket that is easily accessible. The mains voltage must match the voltage indicated on the rating plate of the charger.
- Make sure that the connecting cable does not represent a tripping hazard.
- Keep the charger which is connected to the mains power and the battery block away from highly flammable materials (e.g. paper, textiles etc.). There is a danger of fire as a result of the heating of the battery block and charger which occurs during charging.

Charge the battery pack (16) before you first use it!

Before charging it up, ensure that the contacts on the battery block and the charger are clean.

1. Detach the battery block from the main unit (**2**): Press the battery release button (**15**) and pull the battery block off the device (Fig.13).
2. There is a power **DISPLAY BUTTON** on the battery block. Press the button to turn on the charge level indicator.
3. When all three LEDs of the charge level indicator light up, the battery is full. If only the red LED is on, the battery must be charged. Unwind the cable of the charger fully.
4. Push the charger onto the contacts of the battery block.
5. Insert the mains plug into an easily accessible plug socket.
6. When all three lamps of the charge level indicator light up, the battery is fully charged. Then first pull the mains plug out of the plug socket and then pull the charger off the battery block.

11.8 INSTALLING AND REMOVING the BATTERY PACK (Fig.13)

Note: Charge the battery pack (16) before you first use it!

To install the battery pack (16) in the tool :

- lock the trigger switch by placing the forward/reverse switch in the centre position.
- Align the body with the groove in the battery pack and push in the direction of the arrow until the battery pack is secured on the tool.

To remove the battery pack from the tool :

- push the push battery release button (15) on and remove the battery pack in the direction of the arrow.

Note: Always remove the battery pack from your tool when you are assembling parts, making adjustments, cleaning, or when not in use. Removing battery pack will prevent accidental starting that could cause serious personal injury.

12 CLEANING & MAINTENANCE

The sanitizing mister can only operate satisfactorily if it is cleaned and maintained after each use.



Attention! Before performing any work on the equipment, remove the battery from the tool.

ALWAYS REMOVE THE BATTERY FROM THE TOOL BEFORE CHANGING REMOVABLE PARTS, LUBRICATING OR WORKING ON THE TOOL.

12.1 CLEANING THE SANITIZING MISTER AFTER USE

1. Unscrew the sanitizer container and empty any unused liquid

Note: Dispose any unused sanitizer in correct manner or store in a separate container.

2. Fill the sanitizer container with water.

Note: Only use distilled water

3. Clean the sanitizer container and suction tube with a brush and then screw the sanitizer container back into the mister unit.

Note: Ensure the seal of suction tube is in place before screwing the sanitizer container back onto the sanitizing mister.

4. Plug the mister unit back into the mister body, and spray onto a piece of cardboard or other scrap material. Repeat until clear mist sprays out smoothly.

5. Remove the sanitizer container and the dry interior.

Note: Always keep the container dry and clean and check for damage.

6. Clean the outside of the sanitizing mister and sanitizer container with a soft cloth.

12.2 CLEANING THE PARTS

1. Unscrew the air cap nut to remove the air cap.

2. Turn the quick release knob to remove the spray gun unit.

3. Remove and dismantle the suction tube by turning clockwise.

4. Dip a cloth in water and clean the air cap, nozzle, mister housing, rear of the misting unit and suction tube.

Note: Never clean the nozzle or air holes in the mister with sharp metal objects as this may cause damage.

5. Take note of the 2 holes on the suction tube, if blocked clean using the provided cleaning needle.

6. Prior to storing the sanitizing mister, ensure it is completely dry.

12.3 In general

- Keep the ventilation slots of the machine free from dust and dirt to prevent overheating of the motor.
- Regularly clean the machine housing with a soft cloth, preferably after each use.
- If the dirt does not come off use a soft cloth moistened with soapy water.



Never use solvents such as petrol, alcohol, ammonia water, etc. These solvents may damage the plastic parts.



Attention! Never immerse the sanitizing mister in liquid when cleaning.

DO NOT MAKE ANY ADJUSTMENTS WHILE THE MOTOR IS IN MOTION.

To ensure safety and reliability, all repairs should be performed by a qualified service organization.

13 TECHNICAL DETAILS

Model nr.	SM-001 US 2020 SM-001 UK 2020
Voltage	20V
Sanitizer cup volume	1000ml
Max. flow	600 ml/min
Max. viscosity	85-100DIN-sec
Nozzle	Ø1.5/ Ø1.8/ Ø2.2mm
Net weight	1.1kg
Battery for XYZ567	
Type	Li-Ion
Voltage	20V
Capacity	2000mAh
Charger for XYZ567	
Input	100-240V 50/60Hz 1.0A
Output	23.0 V - 1.5A

14 NOISE

Noise emission values measured according to relevant standard.

Acoustic pressure level L_{pA}	81.1 dB(A)	K=3
Acoustic power level L_{wA}	92.1 dB(A)	K=3



ATTENTION! Wear hearing protection.

15 VIBRATION

a_w (Vibration)	1.82 m/s^2	$K = 1,5 m/s^2$
-------------------	--------------	-----------------

The declared vibration total value has been measured in accordance with a standard test method and may be used for comparing one tool with another;

The declared vibration total value may also be used in a preliminary assessment of exposure.



WARNING: vibration emission during actual use of the power tool can differ from the declared total value depending on the ways in which the tool is used;

Before use, identify safety measures to protect the operator that are based on an estimation of exposure in the actual conditions of use (taking account of all parts of the operating cycle such as the times when the tool is switched off and when it is running idle in addition to the trigger time).

17 WARRANTY

1-Year Limited Warranty

This product to be free from defects in material or workmanship for a period of one (1) year following the date of purchase, provided that the product is used in a home environment. This limited warranty does not cover failures due to abuse, or accidental damage. A defective product meeting the warranty conditions set forth herein will be replaced or repaired at no charge in either of two ways:

The first, which will result in exchanges only, is to return the product to the retailer from whom it was purchased (provided that the store is a participating retailer). Returns should be made within the time period of the retailer's policy for exchanges. Proof of purchase may be required. Please check with the retailer for its specific return policy regarding time limits for returns or exchanges.

The second option is to take or send the product (prepaid) to the manufacturers of SaniMist. Proof of purchase may be required. Address and further replacement information can be found at www.SaniMist.com .

This warranty does not apply to accessories. This warranty gives you specific legal rights and you may have other rights which vary from state to state. This product is not intended for commercial use, and accordingly, such commercial use of this product will void this warranty. All other guarantees, express or implied, are hereby disclaimed.

SaniMist is sold and guaranteed by:
SaniMist, LLC
3059 Forest Hill Irene Rd.
Germantown, TN 38138

18 ENVIRONMENT

18.1 Disposing of the machine



Should your appliance need replacement after extended use, do not dispose of it with the household refuse, but in an environmentally safe way.



Electrical or electronic waste should not be passed into the normal household waste stream. Please recycle where recycle facilities exist. Check with your Local Authority or retailer for recycling advice.

18.2 Disposing of the packaging.



Dispose of the packaging according to type.

Put carton and cardboard to waste paper, foil in the recyclable waste collection.

18.3 Disposing of the rechargeable battery



Batteries and rechargeable batteries must not be disposed of with household waste



This product contains Li-ion. To preserve natural resources, please recycle or dispose of batteries properly. Local, state or federal laws may prohibit disposal of Li-ion batteries in ordinary trash. Consult your local waste authority for information regarding available recycling and/or disposal options.